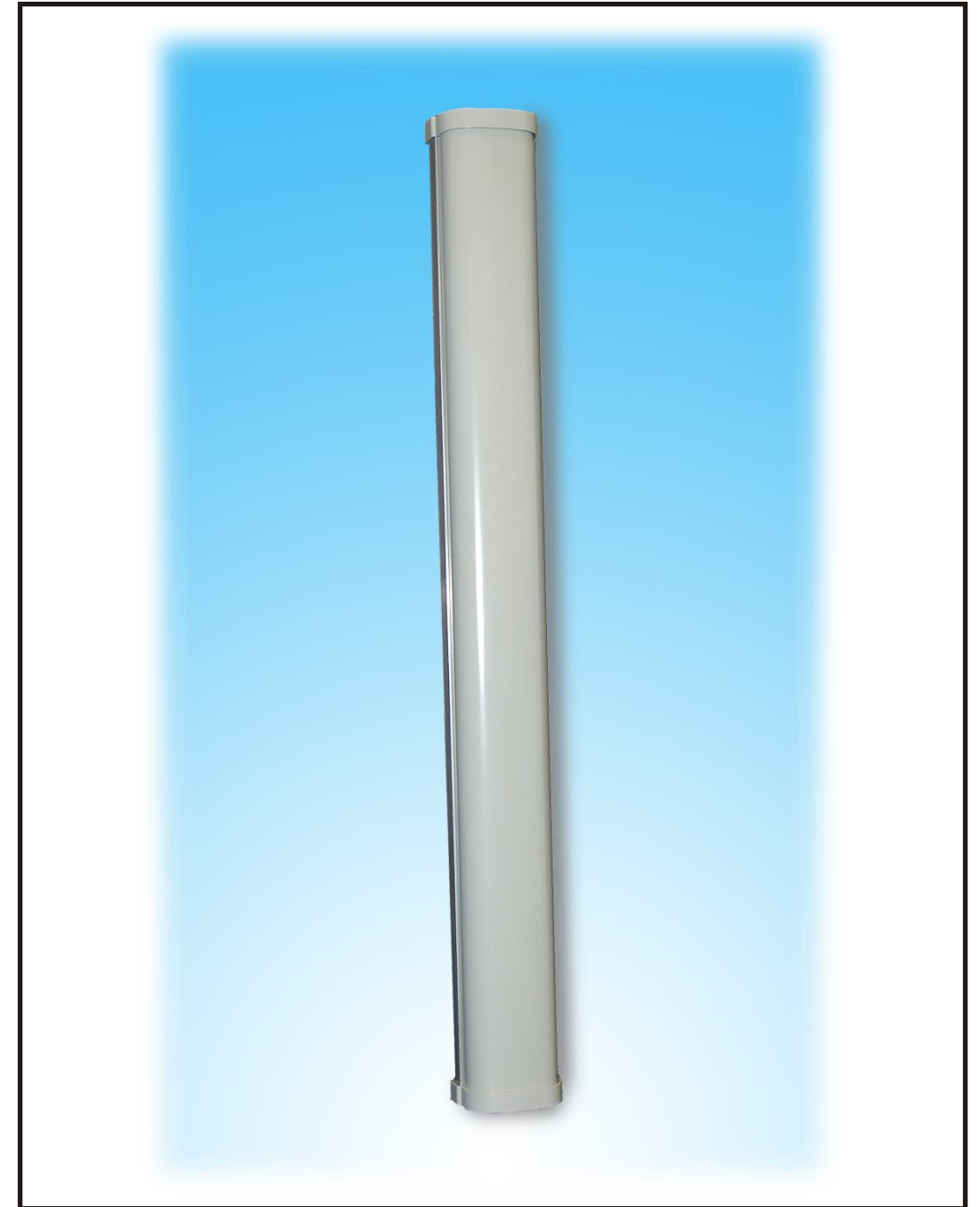


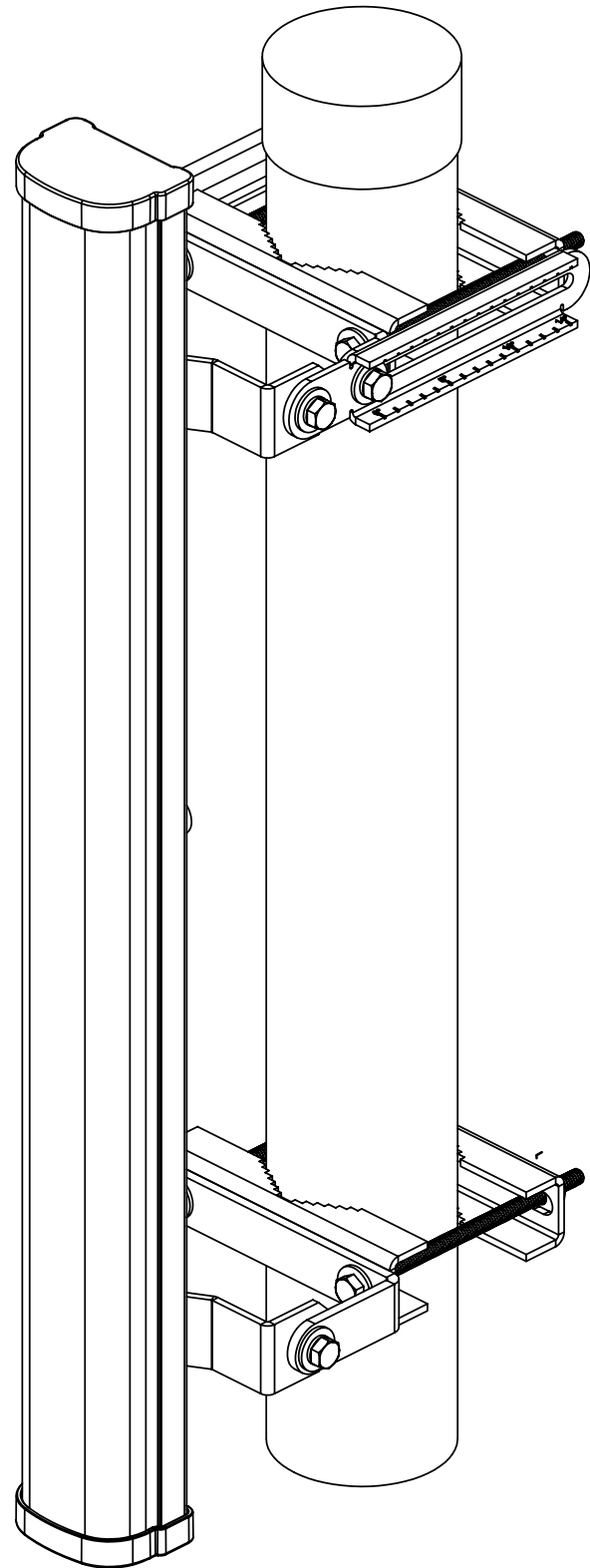
Netl  ***rom***



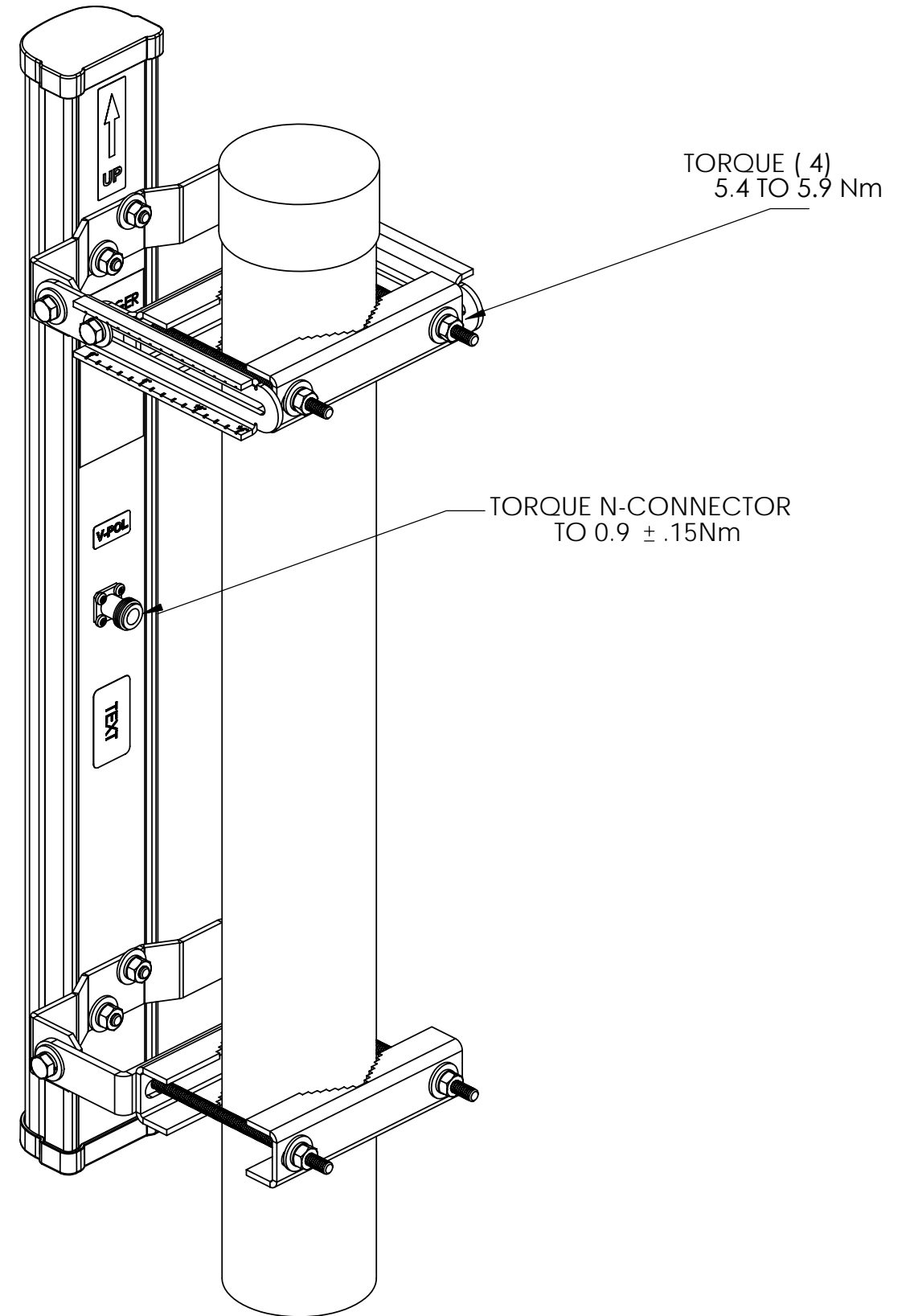
INSTALLATION INSTRUCTION,
W5G-17SP90V
W5G-16SP120V

Antenna Kits Packaging List:

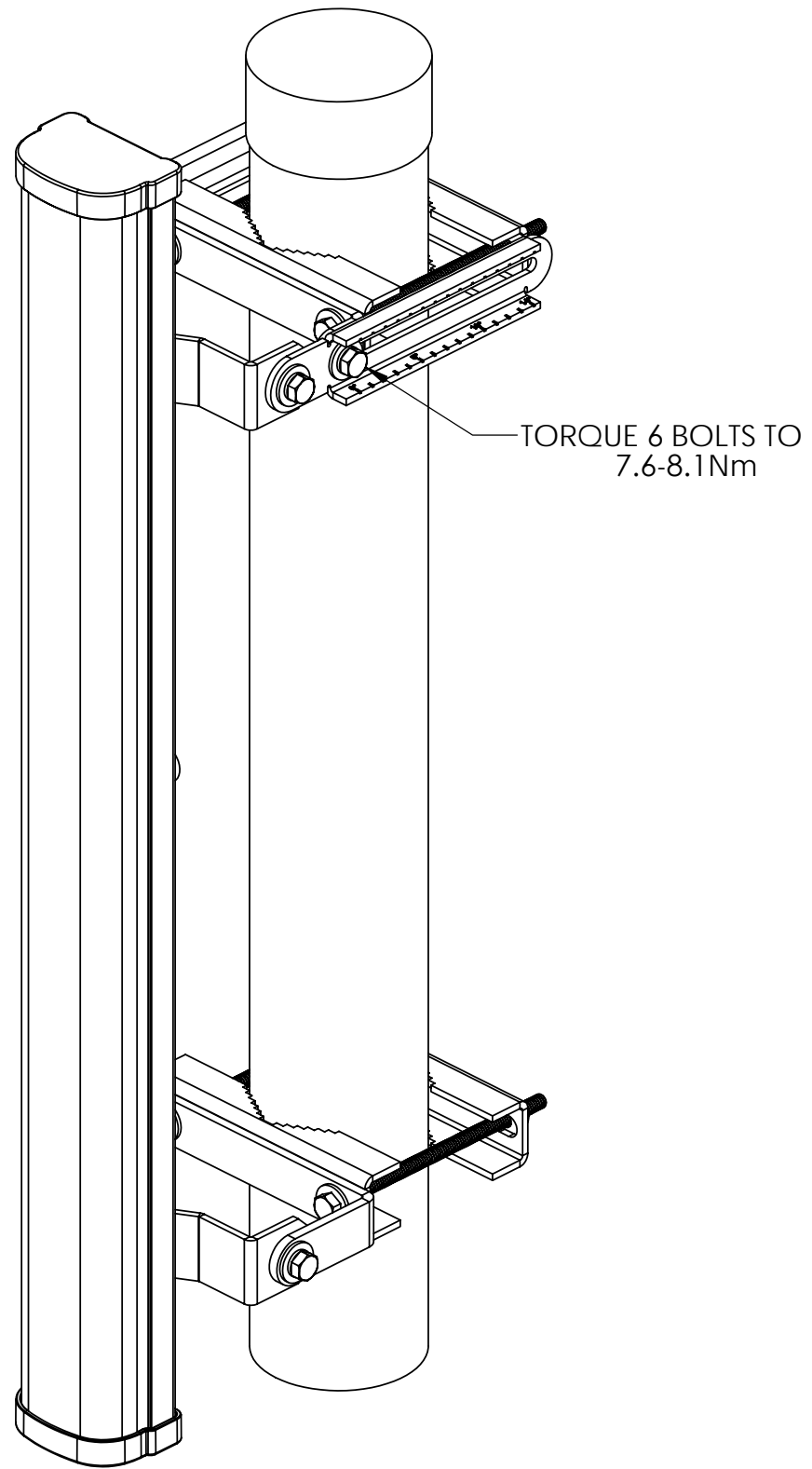
- * Antenna (Qty 1)
- * Upper Bracket (Qty 1)
- * Lower Bracket (Qty 1)
- * Swing Arm (Qty 2)
- * Clamp (Qty 2)
- * 1/4"-20 X 5" Hex Head Bolt (Qty 4)
- * 1/4"-20 X 3/4" Hex Head Bolt (Qty 6)
- * 1/4" Flat Washer (Qty 18)
- * 1/4" Lock Washer (Qty 14)
- * 1/4"-20 Hex Nut (Qty 8)



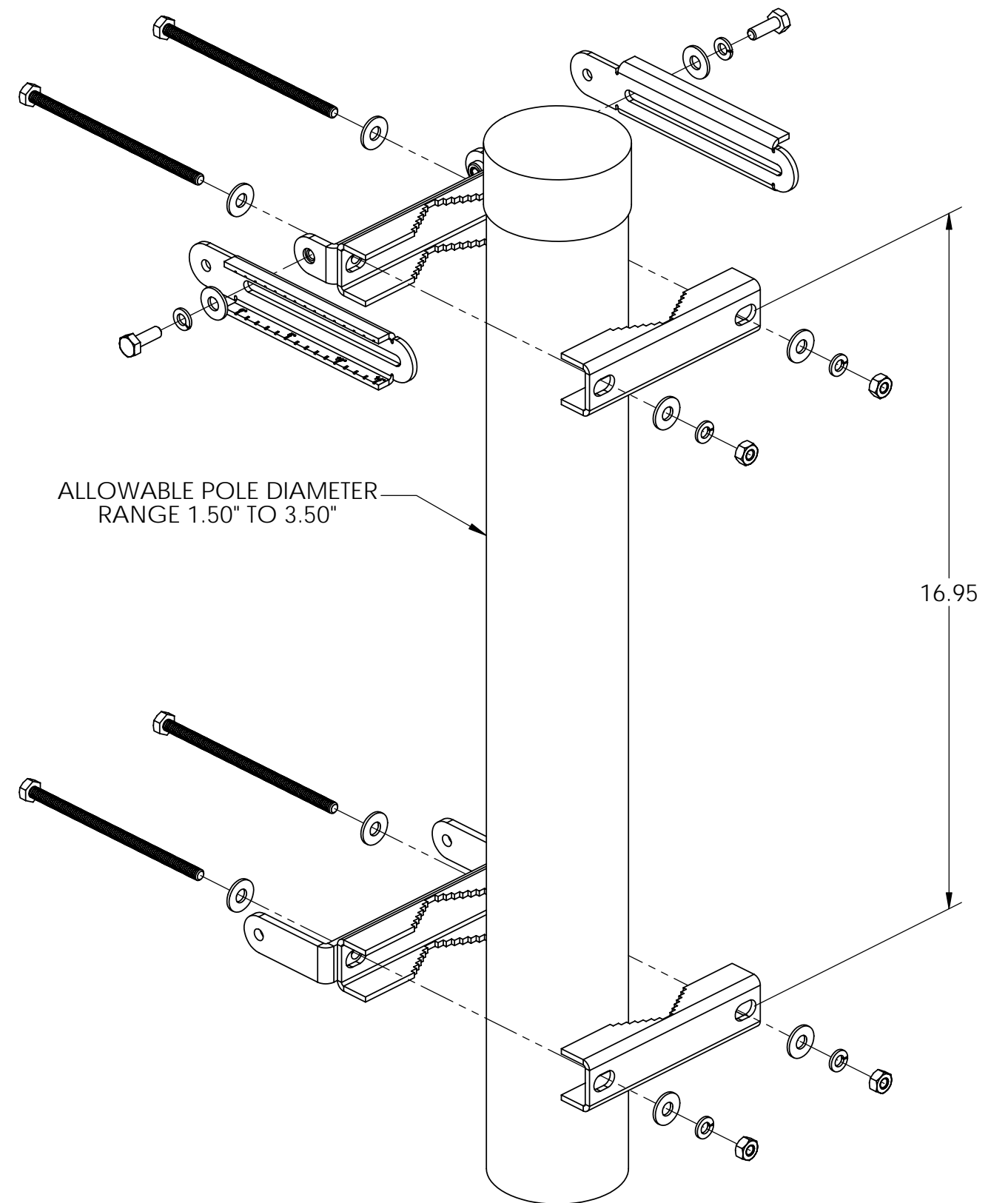
STEP5: Attach Cable



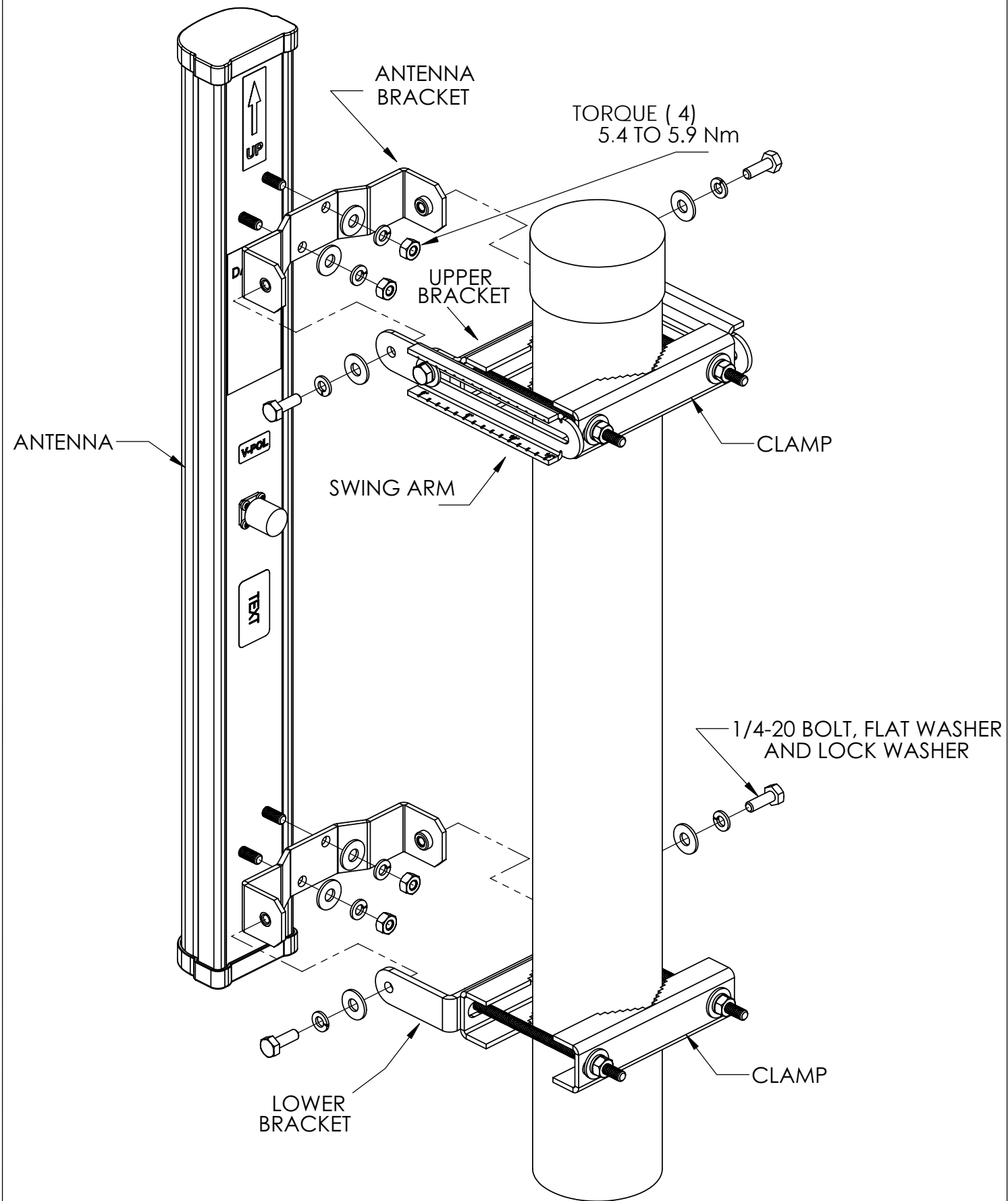
STEP 4: Tighten All Hardware



STEP 1: Attach Upper and Lower Brackets to Pole



STEP 2: Mount Antenna to Pole Brackets



STEP 3: Azimuth and Elevation Adjustment

Align Antenna to Azimuth Direction and Desired Elevation Angle

