



# Universal Antenna Mount

The universal antenna mounting systems consist of a universal bracket with a mounting tube for the most demanding customer premises antenna mounting applications. The construction is better than many of these type of mounts which are only light gauge painted steel. The Netkrom mounts are heavy gauge steel which goes through a galvanization (plating) process and then are powder coat painted for extra protection from the elements. Fasteners used are stainless steel. The mounting tubes have 2 sets of holes to give maximum angular flexibility during installations. The mounting systems feature a universal mounting bracket with a full 90 degrees of tilt which allows for greater versatility when dealing with the variety of installation challenges found at customer sites. Their low profile and attractive styling make it ideal for installations on various styles of buildings and in all neighborhoods, including upscale neighborhoods.

### Features:

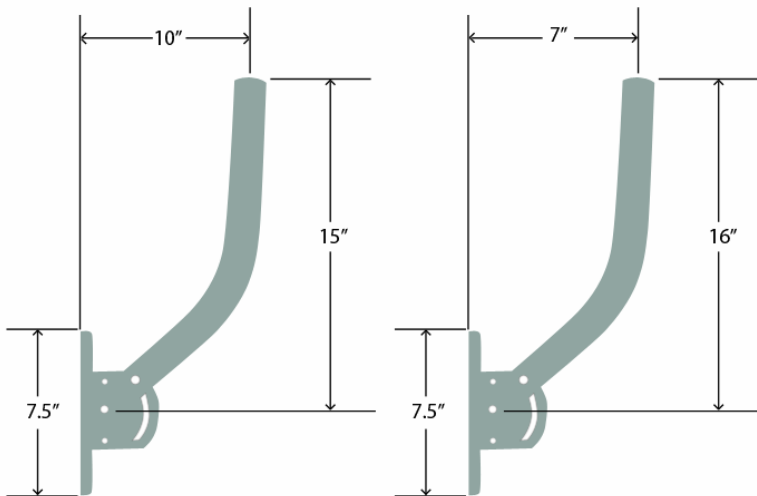
- Attractive styling
- Galvanized steel with grey powder coat paint
- Full 90 degree tilt adjustment
- 1.5" heavy duty steel tube for greater strength
- Extremely versatile
- Supports 150Lbs. load in both axis
- 2 Sets of holes in tube for more angular flexibility



### Applications:

- Customer premises equipment
- Roof or wall mounting
- Under-eave mounting
- Interior or exterior

### Mechanical Specifications:



### Notes:

1. Dimension in Inches
2. 1.5" Diameter Heavy Duty Tube
3. 90 Degree Adjustable Tilt
4. Mounting Flange 6" Wide
5. Galvanized Steel; Grey Epoxy Powder Coat Paint

### Ordering Information:

- **WAC-UM** Universal Antenna Mount